

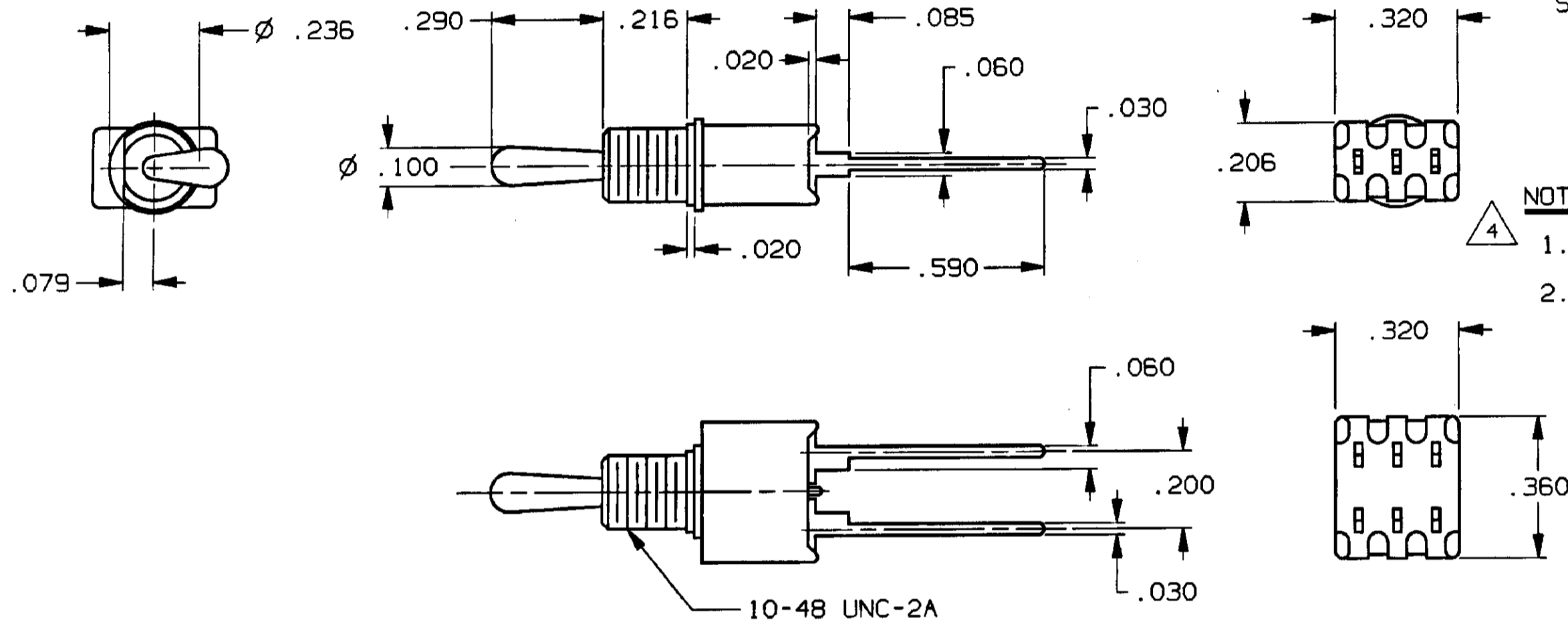
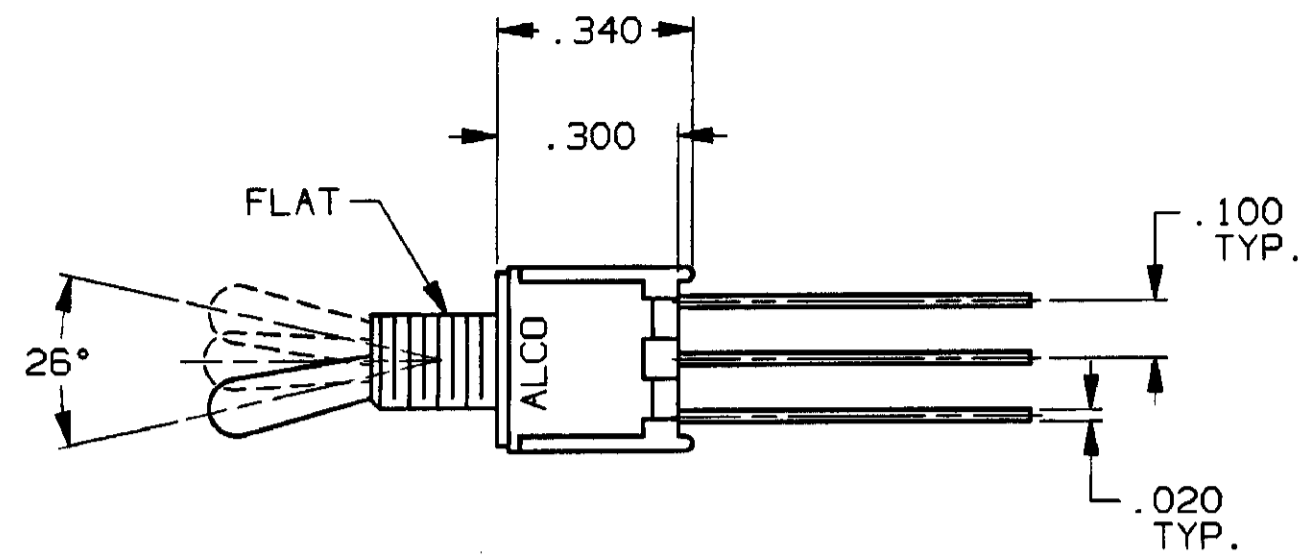
| CONVERSION CHART | |
|------------------|-------|
| INCH | MM |
| .002 | 0.05 |
| .010 | 0.25 |
| .020 | 0.51 |
| .030 | 0.76 |
| .043 | 1.09 |
| .060 | 1.52 |
| .079 | 2.01 |
| .080 | 2.03 |
| .082 | 2.08 |
| .085 | 2.16 |
| .100 | 2.54 |
| .190 | 4.83 |
| .194 | 4.93 |
| .200 | 5.08 |
| .206 | 5.23 |
| .216 | 5.49 |
| .236 | 5.99 |
| .290 | 7.37 |
| .300 | 7.62 |
| .320 | 8.13 |
| .340 | 8.64 |
| .360 | 9.14 |
| .590 | 14.99 |

4 SPECIFICATIONS:

MATERIALS:
CASE: HIGH TEMPERATURE POLYESTER
FRAME: STEEL, TIN PLATED.
ACTUATOR: COPPER ALLOY, NICKEL PLATED.
MOVABLE CONTACT: COPPER ALLOY, GOLD OVER NICKEL PLATE.
STATIONARY CONTACT: COPPER ALLOY, GOLD OVER NICKEL PLATE.
TERMINALS: COPPER ALLOY, TIN PLATED.
TERMINAL SEAL: EPOXY

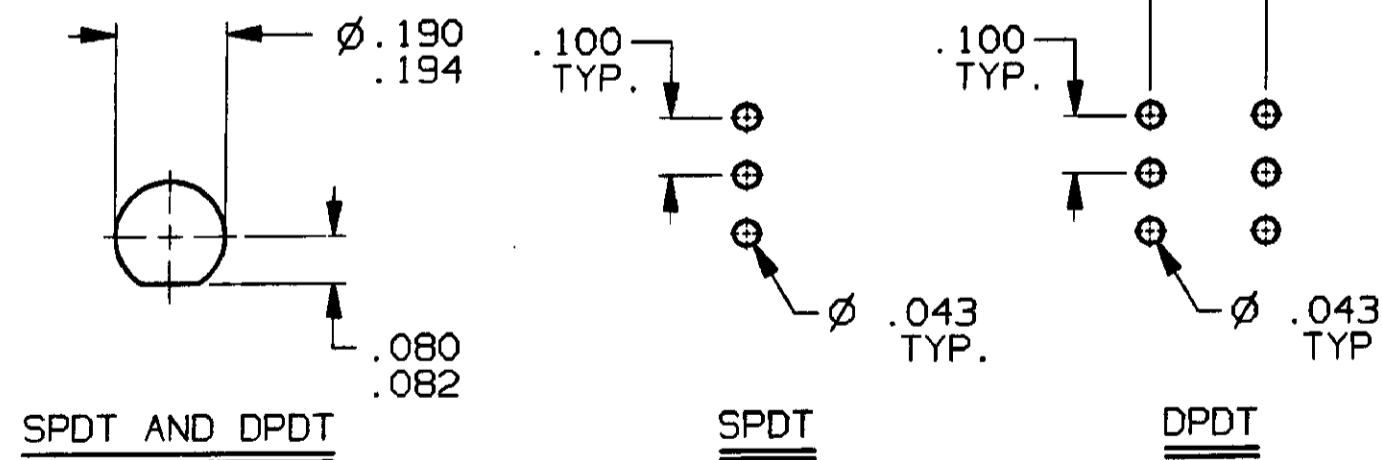
ELECTRICAL:
CONTACT RATING: 0.4 VA @ 20 VDC OR PEAK AC
INITIAL CONTACT RESISTANCE: 20 MILLIOHMS MAX.
INSULATION RESISTANCE: 1,000 MEGOHMS AT 500 VDC MIN.
DIELECTRIC STRENGTH: 1,000 VOLTS RMS AT SEA LEVEL
LIFE EXPECTANCY: 80,000 CYCLES (2 POSITION)
60,000 CYCLES (3 POSITION).

ENVIRONMENTAL:
OPERATING TEMPERATURE: -22°F TO +185°F (-30°C TO +85°C)
STORAGE TEMPERATURE: -67°F TO +185°F (-55°C TO +85°C)



4 NOTES:

1. INTERPRET DRAWING PER ASME Y14.5M-1994.
2. SUPPLIED WITH MOUNTING HARDWARE.



RECOMMENDED HOLE LAYOUT

TOLERANCE ±.002 UNLESS OTHERWISE NOTED

| MODEL NO. SPDT | MODEL NO. DPDT | POSITIONS | ACTION |
|----------------|----------------|-----------|------------|
| TT11DG-WW-2T | TT21NG-WW-2T | 2 | ON-NONE-ON |
| TT11EG-WW-2T | TT21PG-WW-2T | 3 | ON-OFF-ON |

AUGAT D/N 40156-SD

4 CUSTOMER DRAWING
SPECIFICATIONS ARE SUBJECT TO CHANGES WITHOUT NOTICE

| | | | |
|-------------------------------|---|--|-----------------------------------|
| <p>THIRD ANGLE PROJECTION</p> | UNLESS OTHERWISE SPECIFIED DIMENSIONS ARE IN INCHES DO NOT SCALE PRINT | | ORIGINAL DATE OF DRAWING: 1-30-78 |
| | TOLERANCES (EXCEPT AS NOTED) ANGULAR = ±1° DECIMAL .XX = ±.010 DECIMAL .XXX = ±.010 DECIMAL .XXXX = ±.010 | | DRAWN: B.B. DATE: 1-30-78 |
| MATERIAL: SEE SPECIFICATIONS | | CHECKED: | DATE: |
| FINISH: SEE SPECIFICATIONS | | APPROVED: <i>[Signature]</i> DATE: 6/28/95 | DATE: |
| NEXT ASSY: | | CODE IDENT. NO. 91506 | DWG. SIZE C |

| | |
|--|---------------------|
| TYCO ELECTRONICS | |
| TITLE: CUSTOMER DRAWING SUBMINIATURE TOGGLE SWITCH SPDT & DPDT | |
| DWG. NO. 5-1437561-0 | REV. B |
| PRODUCT CODE: A51 | SCALE: SHEET 1 OF 1 |

| | |
|-----------|----------------------------|
| REV | B |
| REVISIONS | 0G3C-0194-05 MZ 28MAR07 |